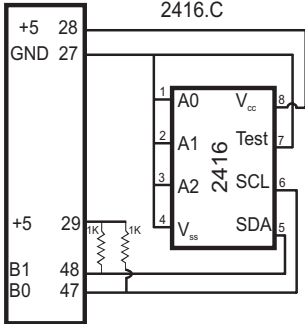
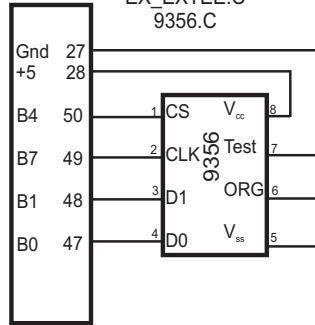


EXPERIMENTER'S KIT

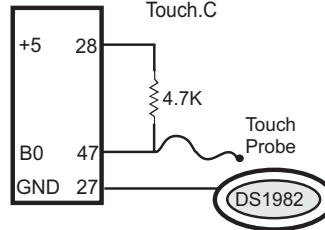
Serial EEPROM
EX_EXTEE.C
2416.C



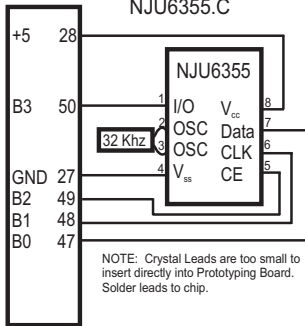
Serial EEPROM
EX_EXTEE.C
9356.C



Touch Devices
EX_TOUCH.C
Touch.C

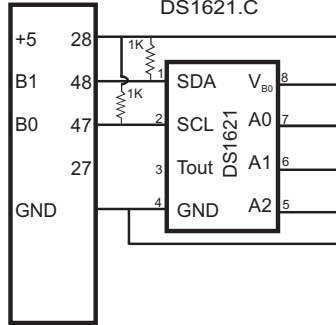


Real Time Clock
EX_RTC.C
NJU6355.C

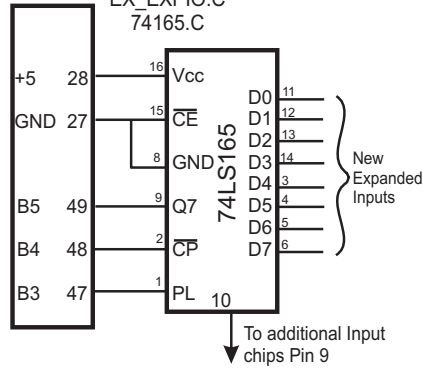


NOTE: Crystal Leads are too small to insert directly into Prototyping Board. Solder leads to chip.

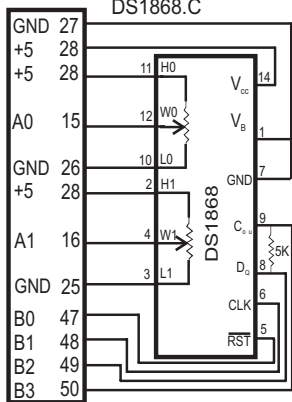
Temperature Sensor
EX_TEMP.C
DS1621.C



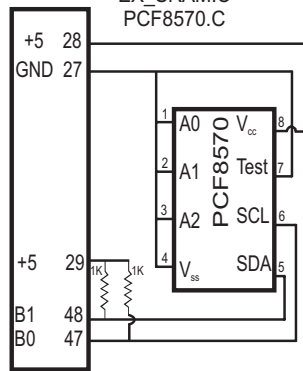
Expanded Input.C
EX_EXPIO.C
74165.C



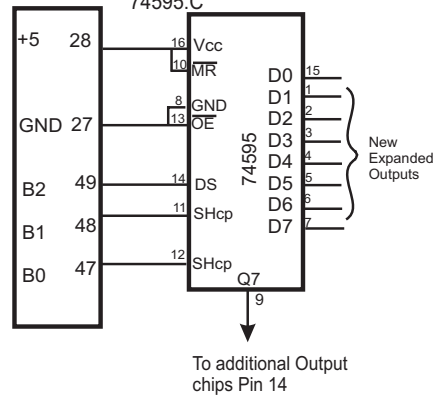
Digital Pots
EX_DPOT.C
DS1868.C



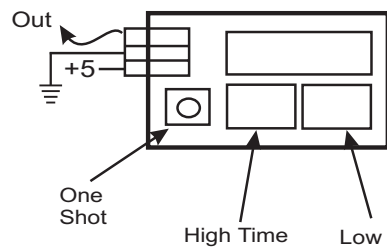
Serial Ram
EX_SRAM.C
PCF8570.C



Expanded Outputs
EX_EXPIO.C
74595.C



Pulse Generator Board



- 0 - Hold until one shot pressed
- 1 - 100us 6 - 100ms
- 2 - 1ms 7 - 250ms
- 3 - 10ms 8 - 500ms
- 4 - 25ms 9 - 1000ms
- 5 - 50ms

For example, both switches set to 7 will yield a 2hz 50% duty square wave.